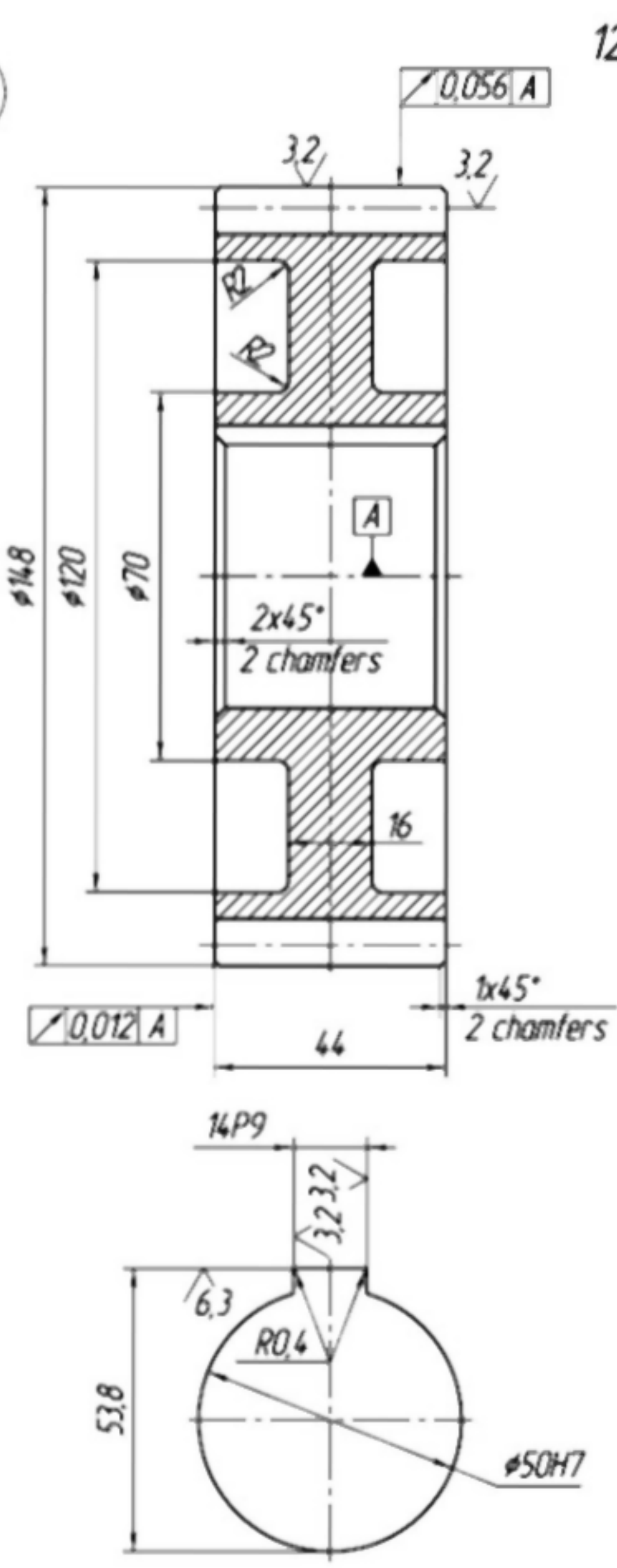
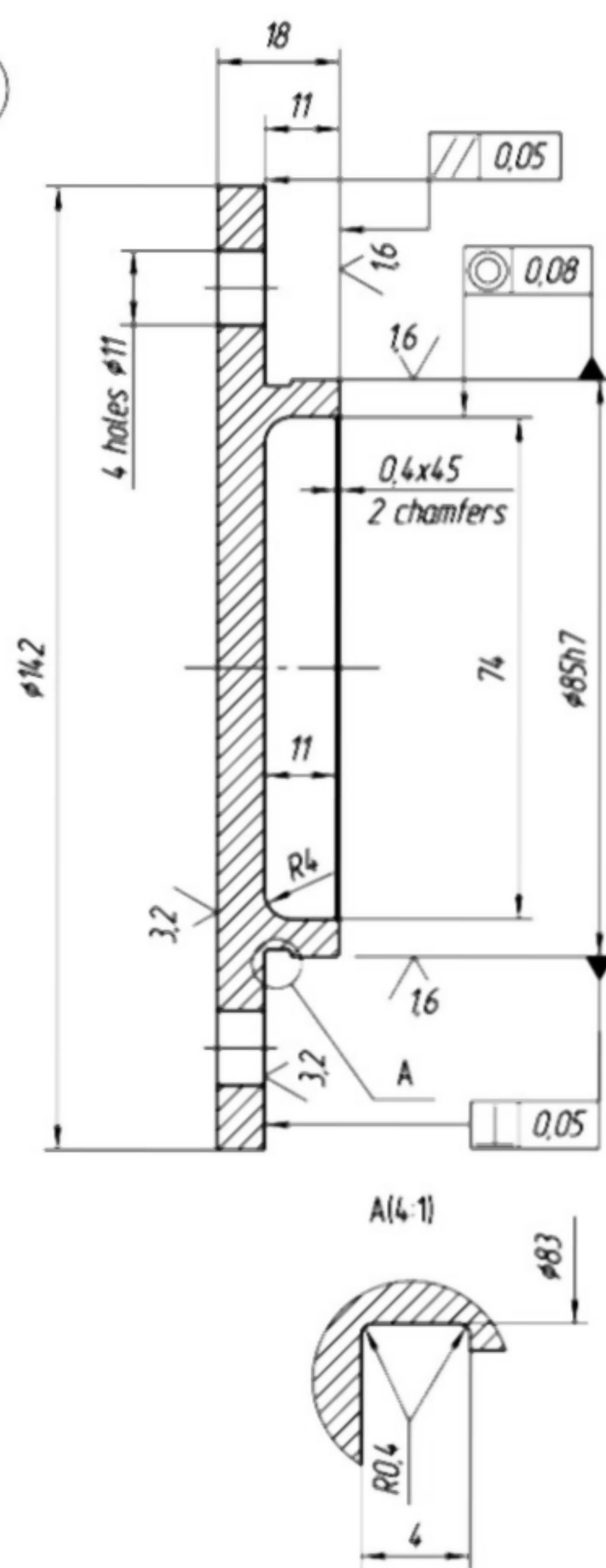


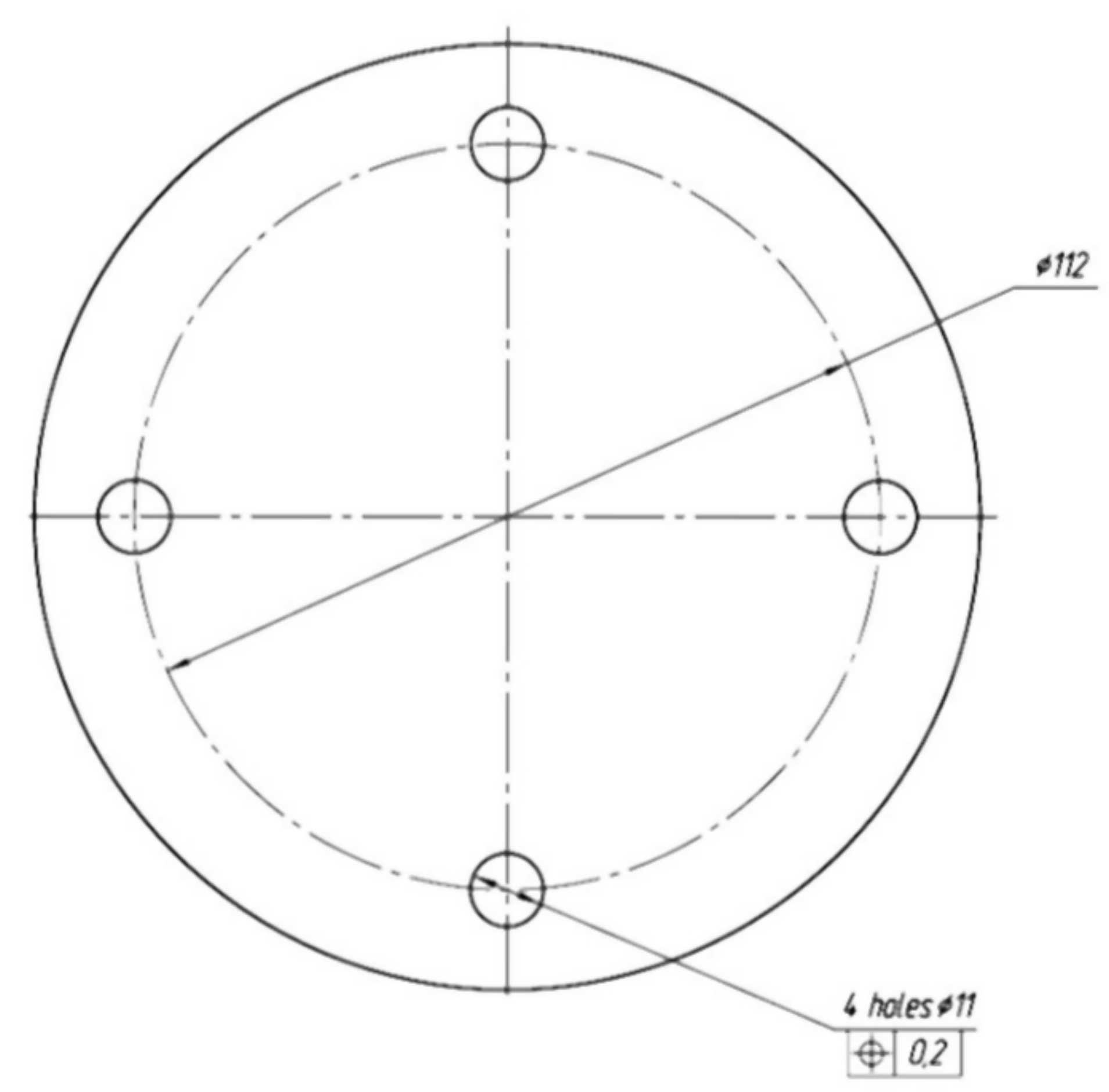
12.5  $\checkmark(\checkmark)$



12.5  $\checkmark(\checkmark)$



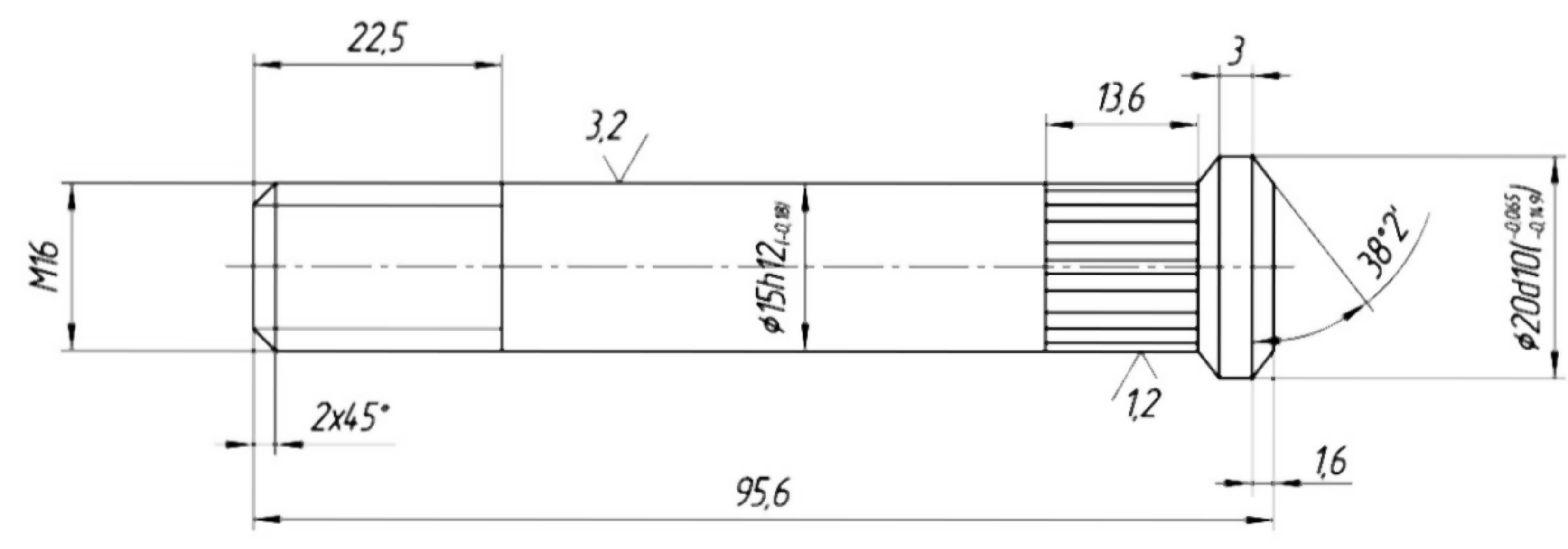
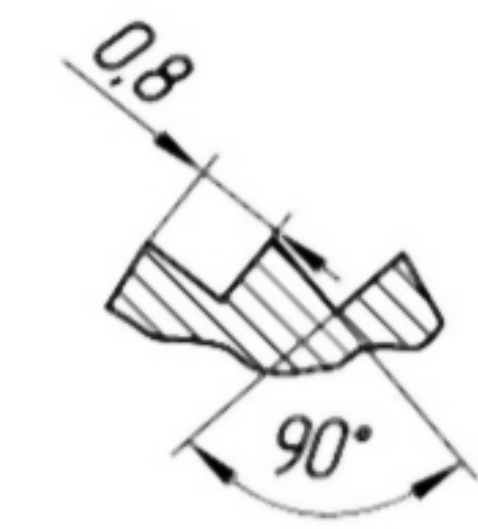
6.3  $\checkmark(\checkmark)$



**SET OF PARTS**  
**DRAFTSMANSHIP**

Lorem ipsum dolor sit amet, consectetur adipiscing elit. Duis eget varius neque, quis ornare lorem. Phasellus rutrum ante augue, euismod pretium odio tempus eu. Nulla cursus malesuada dolor ut ultrices. Cras imperdiet neque sit amet neque sollicitudin, ut tincidunt velit malesuada.

Profile laths



6.3  $\checkmark(\checkmark)$
